

MB910 PCB Terminal Block, Modular



MB910-635M..R



MB910-635M..W

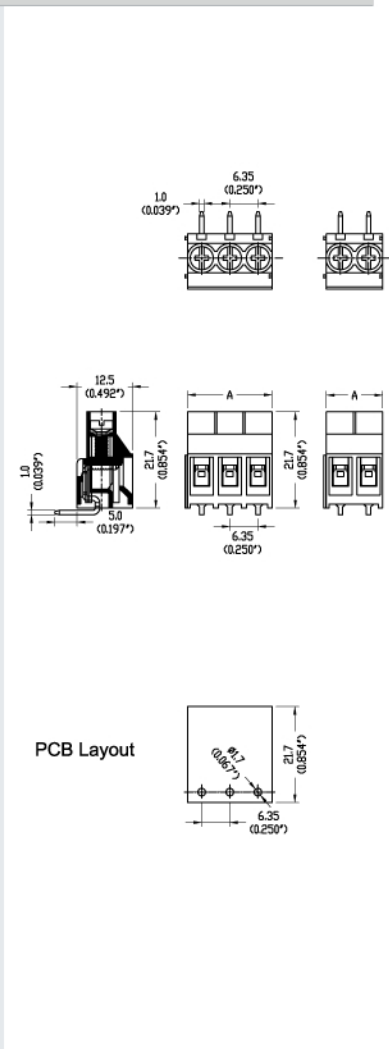
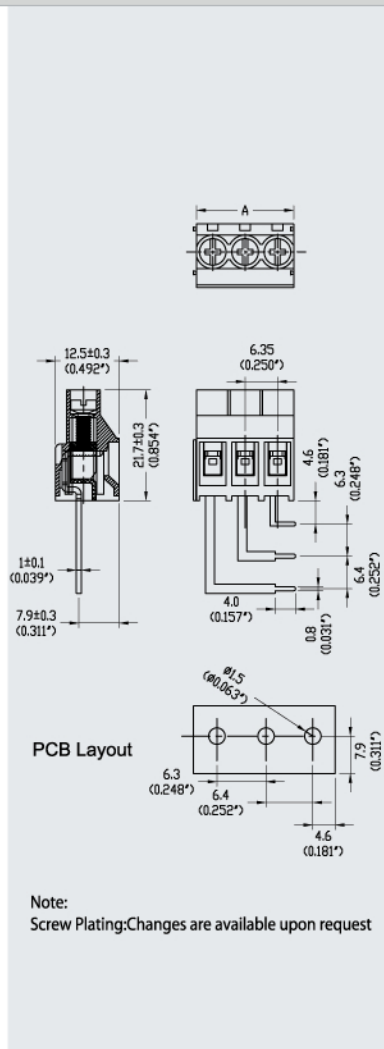


Dimensions/Positions

		MB910-635M..R	MB910-635M..W
間距	Pitch	6.35mm	6.35mm
尺寸a	Dimension a	6.35mm	6.35mm
長度 A	Length	A = 6.35xP (P=2P/3P)	A = 6.35xP (P≥2)
塑膠本體	Housing Material	PA 66	PA 66
壓線圈	Cage Clamp	Steel, Ni Plated	Steel, Ni Plated
端子	Contact	Brass, Tin Plated	Brass, Tin Plated
螺紋	Screw Thread	M3, Steel, Zinc Plated	M3, Steel, Zinc Plated
電線線徑	Wire Size	10 ~ 24AWG	14 ~ 26AWG
PCB孔徑	PCB Hole Diameter	1.5mm	1.7mm
最大緊固扭矩	Tightening Torque, Max.	9.0 Lb-in	9.0 Lb-in
環境作業溫度	Operating Temperature	-40°C to +105°C	-40°C to +105°C

TECHNICAL DATA

絕緣材料組	Insulating Material group	I	I
額定電涌電壓(III/3)	Rated surge voltage (III/3)	5 kV	5 kV
額定電涌電壓(II/2)	Rated surge voltage (II/2)	5 kV	5 kV
額定電壓(III/3)	Rated voltage(III/3)	500V	250V
額定電壓(II/2)	Rated voltage(II/2)	500V	500V
絕緣材料	Insulating Material	PA	PA
阻燃等級, 符合UL94	Inflammability class acc. to UL94	V0	V0
額定電壓, UL/CUL標準C組	Nominal voltage, UL/CUL Use Group C	300V	300V
額定電流, UL/CUL標準C組	Nominal current, UL/CUL Use Group C	30A	30A
額定電壓, UL/CUL標準D組	Nominal voltage, UL/CUL Use Group D	300V	300V
額定電流, UL/CUL標準D組	Nominal current, UL/CUL Use Group D	10A	10A



Note:
Screw Plating: Changes are available upon request