

MC101 Pluggable PCB Connector, Plug with Flanges

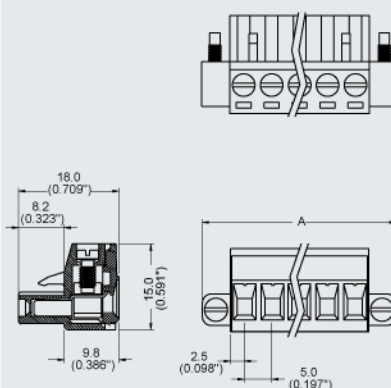


Dimensions/Positions

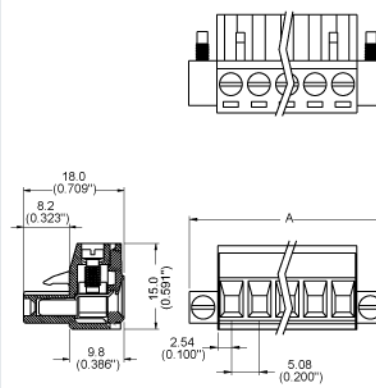
| | | MC101-500 | MC101-508 |
|--------|-------------------------|-----------------------------|-----------------------------|
| 間距 | Pitch | 5.00mm | 5.08mm |
| 尺寸a | Dimension a | 5.00mm | 5.08mm |
| 長度A | Length | A= 5.00xP+10.00mm(P≥2) | A= 5.08xP+10.16mm(P≥2) |
| 塑膠本體 | Housing Material | PA 66 | PA 66 |
| 壓線圈 | Cage Clamp | Brass, Ni Plated | Brass, Ni Plated |
| 導電夾片 | Contact | Phosphor Bronze, Tin Plated | Phosphor Bronze, Tin Plated |
| 螺紋 | Screw Thread | M3.0, Steel, Zinc Plated | M3.0, Steel, Zinc Plated |
| 電線線徑 | Wire Size | 12 ~ 24AWG | 12 ~ 24AWG |
| 最大緊固扭矩 | Tightening Torque, Max. | 7 Lb-in | 7 Lb-in |
| 環境作業溫度 | Operating Temperature | -40°C to +105°C | -40°C to +105°C |

TECHNICAL DATA

| | | | |
|--------------------|---|---|---|
| 絕緣材料組 | Insulating Material group | I | I |
| 額定電涌電壓(III/3) | Rated surge voltage (III/3) | 4 kV | 4 kV |
| 額定電涌電壓(III/2) | Rated surge voltage (III/2) | 4 kV | 4 kV |
| 額定電涌電壓(II/2) | Rated surge voltage (II/2) | 4 kV | 4 kV |
| 額定電壓(III/2) | Rated voltage(III/2) | 320V | 320V |
| 額定電壓(II/2) | Rated voltage(II/2) | 630V | 630V |
| 連接符合標準 | Connection in acc. with standard EN-VDE | | |
| 額定電流I _N | Nominal Current I _N | 16A | 16A |
| 額定橫截面 | Nominal Cross Section | 2.5mm ² | 2.5mm ² |
| 最大負載電流 | Maximum load current | 16 A (with 2.5 mm ² conductor cross section) | 16 A (with 2.5 mm ² conductor cross section) |
| 絕緣材料 | Insulating Material | PA | PA |
| 阻燃等級, 符合UL94 | Inflammability class acc. to UL94 | V0 | V0 |
| 額定電壓, UL/CUL標準B組 | Nominal voltage, UL/CUL Use Group B | 300V | 300V |
| 額定電流, UL/CUL標準B組 | Nominal current, UL/CUL Use Group B | 16A | 16A |
| 額定電壓, UL/CUL標準D組 | Nominal voltage, UL/CUL Use Group C | 300V | 300V |
| 額定電流, UL/CUL標準D組 | Nominal current, UL/CUL Use Group C | 16A | 16A |



Note:
Screw Plating: Changes are available upon request
Cage Clamp: MC 101# : Steel



Note:
Screw Plating: Changes are available upon request
Cage Clamp: MC 101# : Steel