

MD022 Connector, Header



MD022-350



MD022-500



Dimensions/Positions

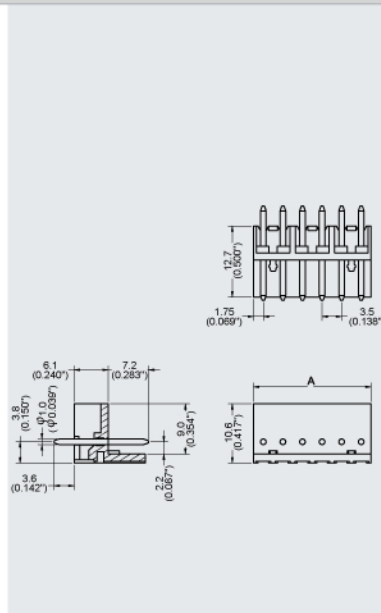
MD022-350

MD022-500

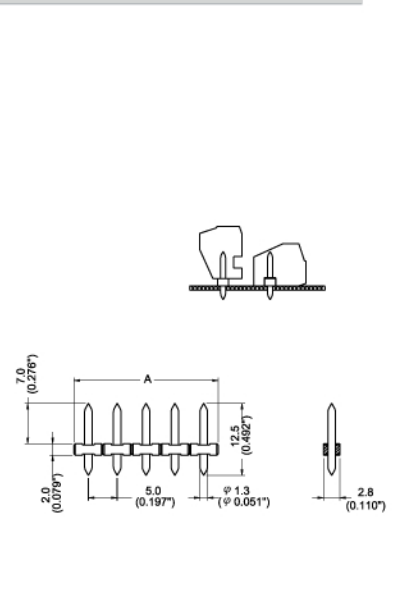
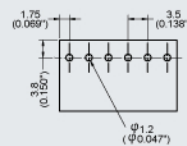
間距	Pitch	3.50mm	5.00mm
尺寸a	Dimension a	3.50mm	5.00mm
長度 A	Length	A= 3.50xP(P≥2)	A= 5.00xP(P≥2)
焊針	Pin Dimensions	Brass, Tin Plated	Brass, Tin Plated
塑膠本體	Housing Material	PA 66	PA 66
PCB孔徑	PCB Hole Diameter	1.2mm	1.5mm
環境作業溫度	Operating Temperature	-40°C to +105°C	-40°C to +105°C

TECHNICAL DATA

絕緣材料組	Insulating Material group	I	I
額定電涌電壓(III/3)	Rated surge voltage (III/3)	3 kV	4 kV
額定電涌電壓(III/2)	Rated surge voltage (III/2)	3 kV	4 kV
額定電涌電壓(II/2)	Rated surge voltage (II/2)	3 kV	4 kV
額定電壓(III/3)	Rated voltage(III/3)	160V	250V
額定電壓(III/2)	Rated voltage(III/2)	250V	400V
額定電壓(II/2)	Rated voltage(II/2)	400V	630V
阻燃等級, 符合UL94	Inflammability class acc. to UL94	PA	PA
絕緣材料	Insulating Material	V0	V0
額定電壓, UL/CUL標準B組	Nominal voltage, UL/CUL Use Group B	300V	300V
額定電流, UL/CUL標準B組	Nominal current, UL/CUL Use Group B	8A	10A
額定電壓, UL/CUL標準D組	Nominal voltage, UL/CUL Use Group D	-	300V
額定電流, UL/CUL標準D組	Nominal current, UL/CUL Use Group D	-	10A



PCB Layout



PCB Layout

