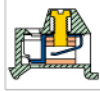


MD023, MD110 Connector, Header



MD023-350



MD110-500

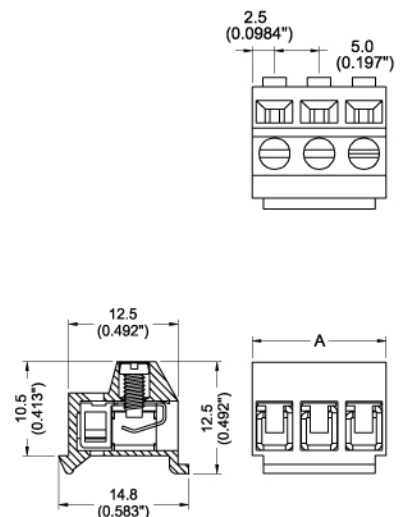
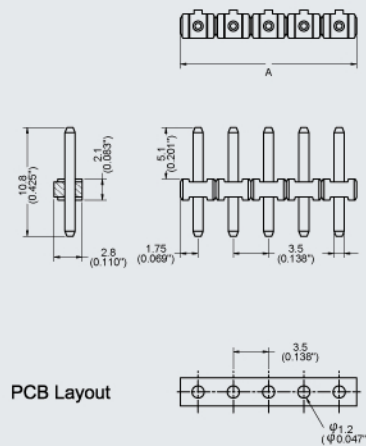


Dimensions/Positions

		MD023-350	MD110-500
間距	Pitch	3.50mm	5.00mm
尺寸a	Dimension a	3.50mm	5.00mm
長度 A	Length	A= 3.50xP(P≥2)	A= 5.00xP(P≥2)
塑膠本體	Housing Material	PA 66	PA 66
焊針	Pin Dimensions	Brass, Tin Plated	-
壓線圈	Cage Clamp	-	Brass, Tin Plated
夾片	Contact	-	Phosphor bronze, Tin Plated
螺紋	Screw Thread	-	M2.6, Steel, Zinc Plated
電線線徑	Wire Size	-	16 ~ 24AWG
PCB孔徑	PCB Hole Diameter	1.2mm	-
最大緊固扭距	Tightening Torque, Max.	-	3 Lb-in
環境作業溫度	Operating Temperature	-40°C to +105°C	-40°C to +105°C

TECHNICAL DATA

絕緣材料組	Insulating Material group	I	I
額定電涌電壓(III/3)	Rated surge voltage (III/3)	3 kV	6 kV
額定電涌電壓(III/2)	Rated surge voltage (III/2)	3 kV	6 kV
額定電涌電壓(II/2)	Rated surge voltage (II/2)	3 kV	6 kV
額定電壓(III/3)	Rated voltage(III/3)	200V	320V
額定電壓(III/2)	Rated voltage(III/2)	320V	500V
額定電壓(II/2)	Rated voltage(II/2)	400V	800V
絕緣材料	Insulating Material	PA	PA
阻燃等級, 符合UL94	Inflammability class acc. to UL94	V0	V0
額定電壓, UL/CUL標準B組	Nominal voltage, UL/CUL Use Group B	300V	300V
額定電流, UL/CUL標準B組	Nominal current, UL/CUL Use Group B	10A	15A
額定電壓, UL/CUL標準D組	Nominal voltage, UL/CUL Use Group D	-	300V
額定電流, UL/CUL標準D組	Nominal current, UL/CUL Use Group D	-	15A



Note:
Screw Plating: Changes are available upon request