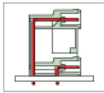


ME250 Male Connector, Double Level Header with Flanges

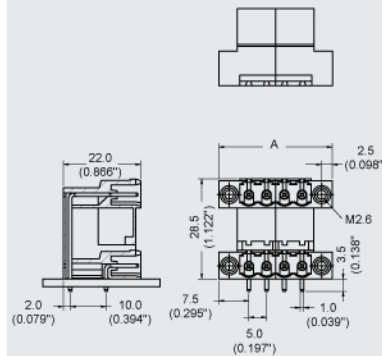


Dimensions/Positions

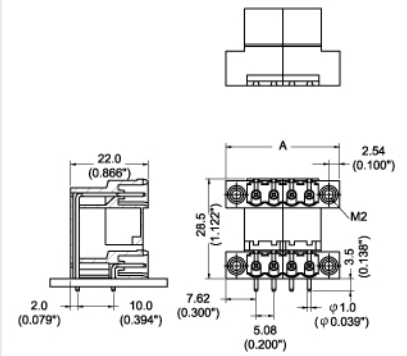
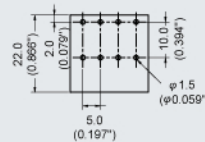
		ME250-500	ME250-508
間距	Pitch	5.00mm	5.08mm
尺寸a	Dimension a	5.00mm	5.08mm
長度 A	Length	A= 5.00xP/2+10.00mm(P≥4)	A= 5.08xP/2+10.16mm (P≥4)
焊針	Pin Dimensions	Brass, Tin Plated	Brass, Tin Plated
塑膠本體	Housing Material	PA 66	PA 66
PCB孔徑	PCB Hole Diameter	1.5mm	1.5mm
環境作業溫度	Operating Temperature	-40°C to +105°C	-40°C to +105°C

TECHNICAL DATA

絕緣材料組	Insulating Material group	I	I
額定電涌電壓(III/3)	Rated surge voltage (III/3)	5 kV	5 kV
額定電涌電壓(III/2)	Rated surge voltage (III/2)	5 kV	5 kV
額定電涌電壓(II/2)	Rated surge voltage (II/2)	5 kV	5 kV
額定電壓(III/3)	Rated voltage(III/3)	250V	250V
額定電壓(III/2)	Rated voltage(III/2)	400V	400V
額定電壓(II/2)	Rated voltage(II/2)	500V	500V
連接符合標準	Connection in acc. with standard EN-VDE		
額定電流I _N	Nominal Current I _N	12A	12A
額定橫截面	Nominal Cross Section	0.2 ~ 4.0mm ²	0.2 ~ 4.0mm ²
最大負載電流	Maximum load current	12A	12A
絕緣材料	Insulating Material	PA	PA
阻燃等級, 符合UL94	Inflammability class acc. to UL94	V0	V0
額定電壓, UL/CUL標準B組	Nominal voltage, UL/CUL Use Group B	300V	300V
額定電流, UL/CUL標準B組	Nominal current, UL/CUL Use Group B	16A	16A
額定電壓, UL/CUL標準D組	Nominal voltage, UL/CUL Use Group D	300V	300V
額定電流, UL/CUL標準D組	Nominal current, UL/CUL Use Group D	10A	10A



PCB Layout



PCB Layout

