

MH110 PCB Terminal Block, High Power- Modular



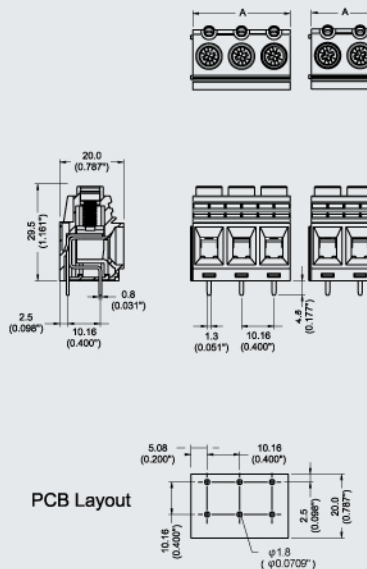
Dimensions/Positions

MH110-016M

間距	Pitch	10.16mm
尺寸a	Dimension a	10.16mm
長度 A	Length	A= 10.16xP(P≥2)
塑膠本體	Housing Material	PA 66
壓線圈	Cage Clamp	Steel, Zinc Plated
端子	Contact	Cooper, Tin Plated
螺紋	Screw Thread	M4.0, Steel, Zinc Plated
電線線徑	Wire Size	6 ~ 20AWG
PCB孔徑	PCB Hole Diameter	1.8mm
最大緊固扭矩	Tightening Torque, Max.	20 Lb-in
環境作業溫度	Operating Temperature	-40°C to +105°C

TECHNICAL DATA

絕緣材料組	Insulating Material group	I
額定電涌電壓(III/3)	Rated surge voltage (III/3)	8 kV
額定電涌電壓(III/2)	Rated surge voltage (III/2)	8 kV
額定電涌電壓(II/2)	Rated surge voltage (II/2)	6 kV
額定電壓(III/2)	Rated voltage(III/2)	1000V
額定電壓(II/2)	Rated voltage(II/2)	1000V
絕緣材料	Insulating Material	PA
阻燃等級, 符合UL94	Inflammability class acc. to UL94	V0
額定電壓, UL/CUL標準B組	Nominal voltage, UL/CUL Use Group B	300V
額定電流, UL/CUL標準B組	Nominal current, UL/CUL Use Group B	57A
額定電壓, UL/CUL標準D組	Nominal voltage, UL/CUL Use Group D	600V
額定電流, UL/CUL標準D組	Nominal current, UL/CUL Use Group D	5A



Note:
Screw Plating:Changes are available upon request