

MWX200 PCB Spring Type Terminal Block



Dimensions/Positions

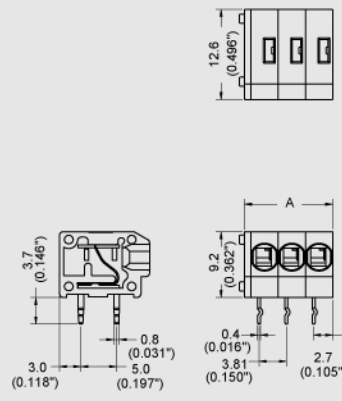
MWX200-381

MWX200-500

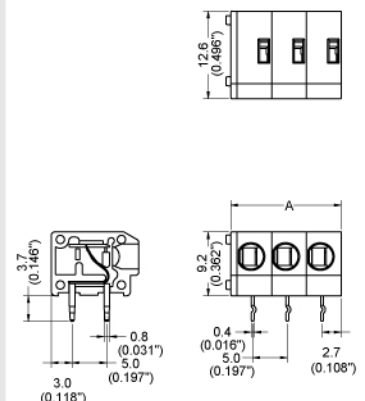
| | | | |
|--------|-----------------------|------------------------|-----------------------|
| 間距 | Pitch | 3.81mm | 5.00mm |
| 尺寸a | Dimension a | 3.81mm | 5.00mm |
| 長度 A | Length | A= 3.81xP +0.90mm(P≥2) | A= 5.00xP+0.90mm(P≥2) |
| 塑膠本體 | Housing Material | PA 66 | PA 66 |
| 彈片 | Spring | Stainless Strip Steel | Stainless Strip Steel |
| 端子 | Contact | Brass, Tin Plated | Brass, Tin Plated |
| 電線線徑 | Wire Size | 16 ~ 20AWG | 14 ~ 20AWG |
| 端蓋 | Cover | PA 66 | PA 66 |
| PCB孔徑 | PCB Hole Diameter | 1.2mm | 1.2mm |
| 環境作業溫度 | Operating Temperature | -40°C to +105°C | -40°C to +105°C |

TECHNICAL DATA

| | | | |
|------------------|-------------------------------------|------|------|
| 絕緣材料組 | Insulating Material group | I | I |
| 額定電涌電壓(III/3) | Rated surge voltage (III/3) | 4 kV | 4 kV |
| 額定電涌電壓(II/2) | Rated surge voltage (II/2) | 4 kV | 4 kV |
| 額定電壓(III/3) | Rated voltage(III/3) | 200V | 250V |
| 額定電壓(II/2) | Rated voltage(II/2) | 500V | 630V |
| 絕緣材料 | Insulating Material | PA | PA |
| 阻燃等級, 符合UL94 | Inflammability class acc. to UL94 | V0 | V0 |
| 額定電壓, UL/CUL標準B組 | Nominal voltage, UL/CUL Use Group B | 300V | 300V |
| 額定電流, UL/CUL標準B組 | Nominal current, UL/CUL Use Group B | 8A | 10A |
| 額定電壓, UL/CUL標準D組 | Nominal voltage, UL/CUL Use Group D | 300V | 300V |
| 額定電流, UL/CUL標準D組 | Nominal current, UL/CUL Use Group D | 8A | 10A |



PCB Layout



PCB Layout