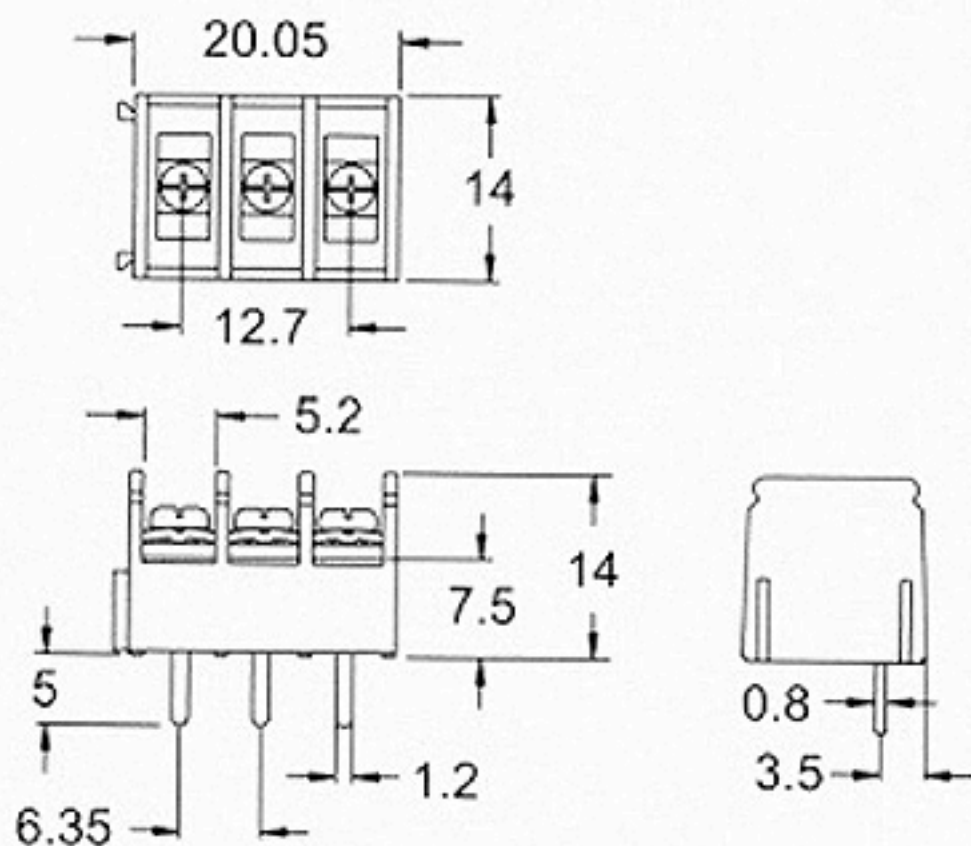
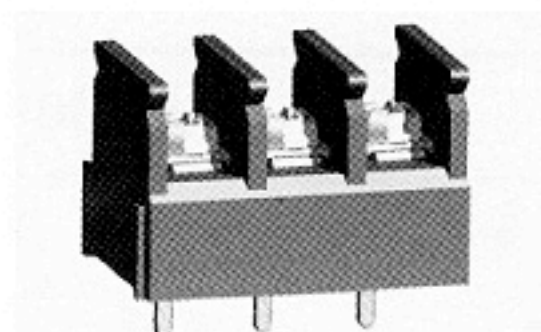


- **Specification**

- .250" PCB Barrier Terminal Blocks
- Pitch : 6.35 mm



|             |  |                                      |
|-------------|--|--------------------------------------|
| T30MBS11-02 |  | 2 pole modular                       |
| T30MBS11-03 |  | 3 pole modular                       |
| T30MRS11-02 |  | 2 pole modular w/o wall (right side) |
| T30MRS11-03 |  | 3 pole modular w/o wall (right side) |
| T30M-R01    |  | mounting hole                        |
| BC30M-□□    |  | clear cover                          |