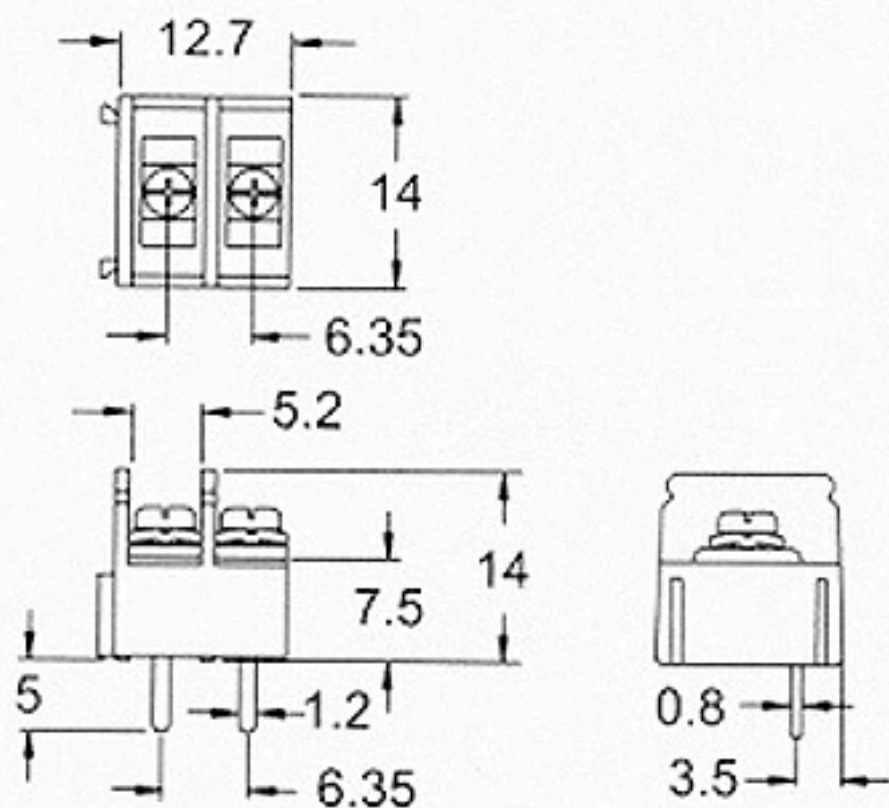
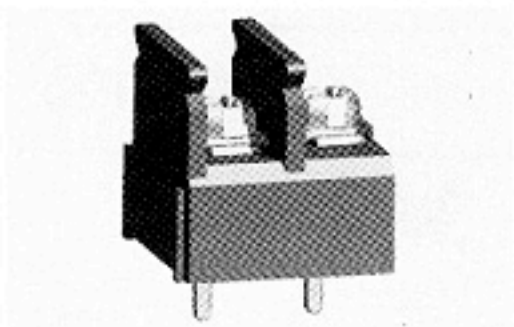


- **Specification**

- .250" PCB Barrier Terminal Blocks
- Pitch : 6.35 mm



T30MBS11-02		2 pole modular
T30MBS11-03		3 pole modular
T30MRS11-02		2 pole modular w/o wall (right side)
T30MRS11-03		3 pole modular w/o wall (right side)
T30M-R01		mounting hole
BC30M-□□		clear cover