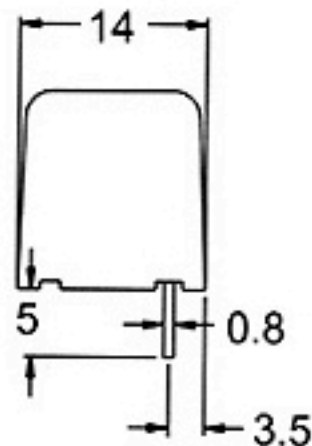
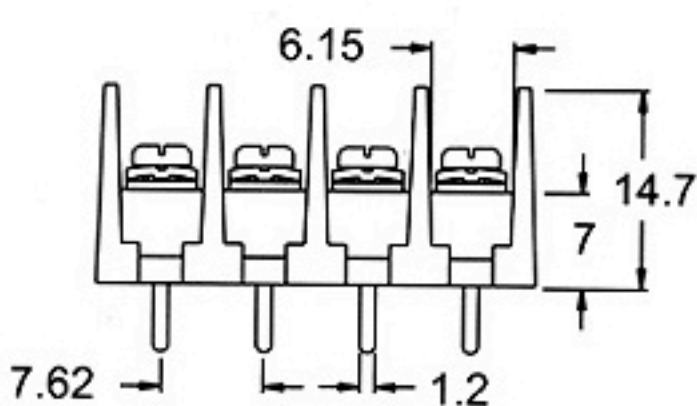
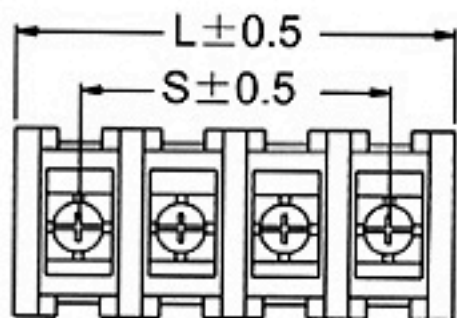
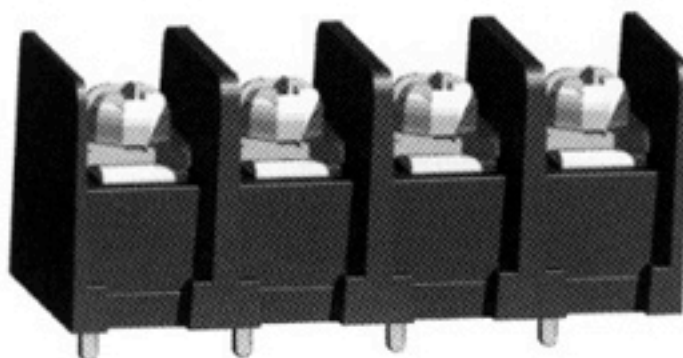


● **Specification**

- .300" PCB Barrier Terminal Blocks
- Terminal style : S11
- Pitch : 7.62 mm



Poles	2	3	4	5	6	7	8	9	10	11	12	13	14	15	16
L(mm)	16.9	24.5	32.1	39.7	47.4	55.0	62.6	70.2	77.8	85.5	93.1	101	108	116	124
S(mm)	7.62	15.2	22.9	30.5	38.1	45.7	53.3	61.0	68.6	76.2	83.9	91.4	99.1	107	114
Poles	17	18	19	20	21	22	23	24	25	26	27	28	29	30	
L(mm)	131	139	146	154	162	170	177	185	192	200	207	215	223	230	
S(mm)	122	130	137	145	152	160	168	175	183	191	198	206	213	221	