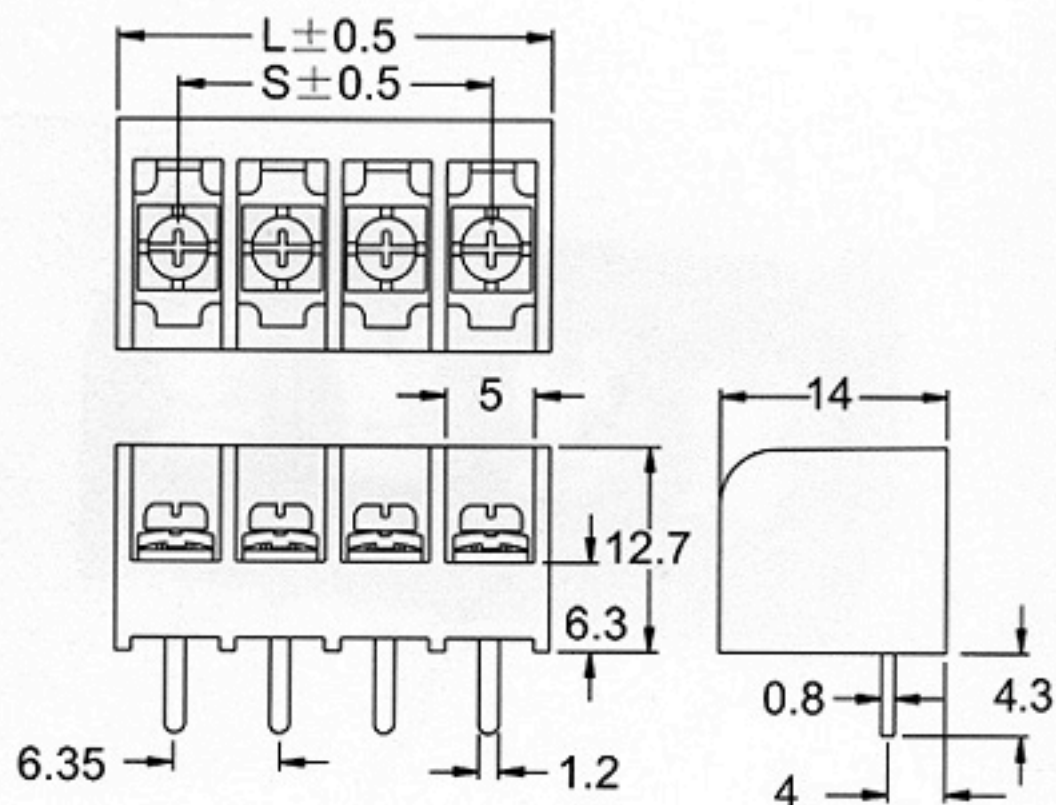
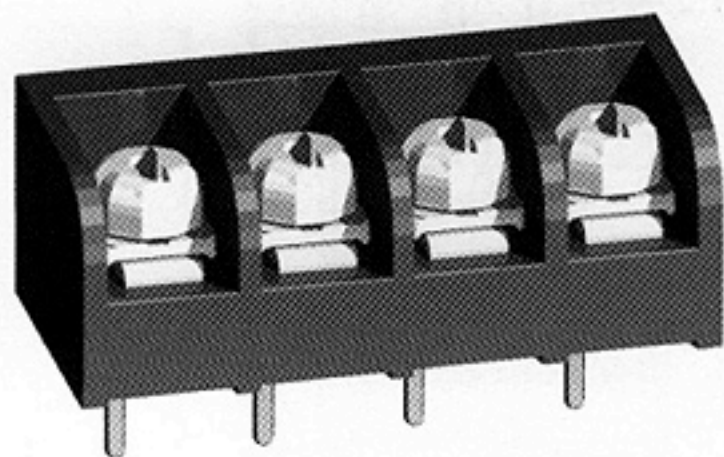


- **Specification**

- .250" PCB Barrier Terminal Blocks
- Terminal style : S16
- Pitch : 6.35 mm



Poles	2	3	4	5	6	7	8	9	10	11	12	13	14	15	16
L(mm)	13.9	20.3	26.6	33.0	39.3	45.7	52	58.4	64.7	71.1	77.4	83.8	90.1	96.5	103
S(mm)	6.35	12.7	19.1	25.4	31.8	38.1	44.5	50.8	57.2	63.5	69.9	76.2	82.6	88.9	95.3
Poles	17	18	19	20	21	22	23	24	25	26	27	28	29	30	
L(mm)	109	116	122	128	135	141	147	154	160	166	173	179	185	192	
S(mm)	102	108	114	121	127	133	140	146	152	159	165	172	178	184	