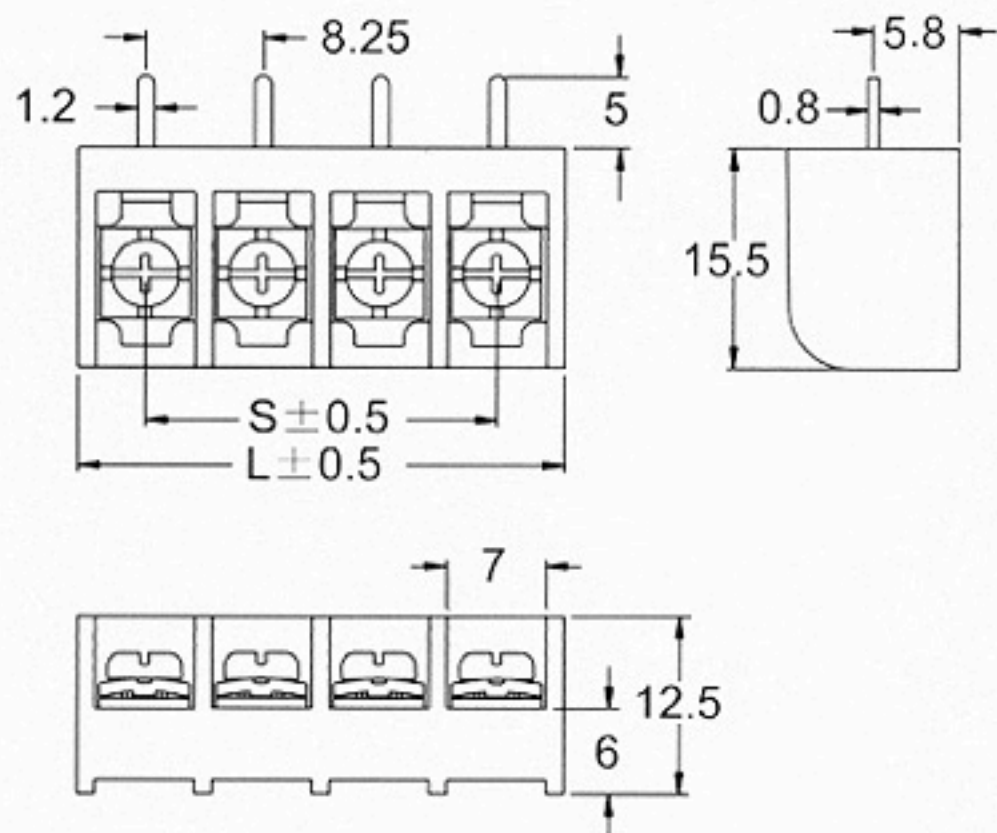
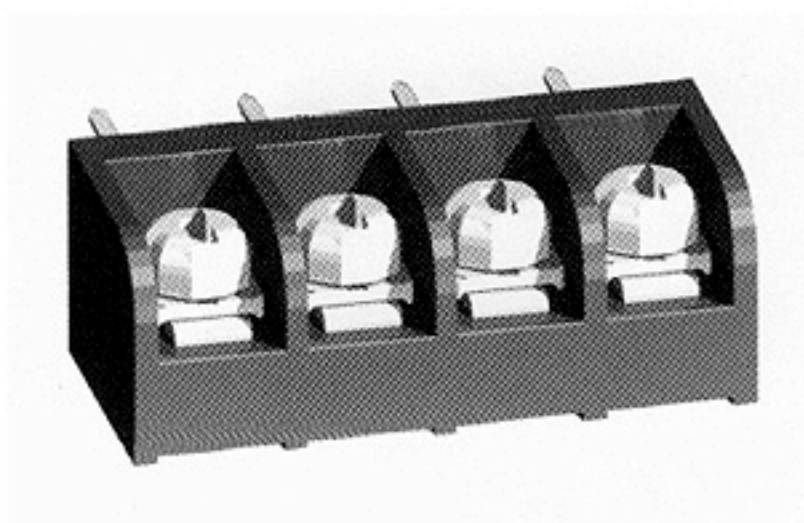


- **Sepecification**

- .325" PCB Barrier Terminal Blocks
- Terminal style : B11
- Pitch : 8.25 mm



| | | | | | | | | | | | | | | | |
|-------|------|------|------|------|------|------|------|------|------|------|------|------|-----|-----|-----|
| Poles | 2 | 3 | 4 | 5 | 6 | 7 | 8 | 9 | 10 | 11 | 12 | 13 | 14 | 15 | 16 |
| L(mm) | 17.7 | 26.0 | 34.2 | 42.5 | 50.7 | 59.0 | 67.2 | 75.5 | 83.7 | 92.0 | 100 | 108 | 117 | 125 | 133 |
| S(mm) | 8.25 | 16.5 | 24.8 | 33.0 | 41.3 | 49.5 | 57.8 | 66.0 | 74.3 | 82.5 | 90.8 | 99.0 | 107 | 116 | 124 |
| Poles | 17 | 18 | 19 | 20 | 21 | 22 | 23 | 24 | 25 | 26 | 27 | 28 | 29 | 30 | |
| L(mm) | 142 | 150 | 158 | 167 | 175 | 183 | 191 | 200 | 208 | 216 | 224 | 233 | 241 | 249 | |
| S(mm) | 132 | 140 | 149 | 157 | 165 | 173 | 182 | 190 | 198 | 206 | 215 | 223 | 231 | 239 | |