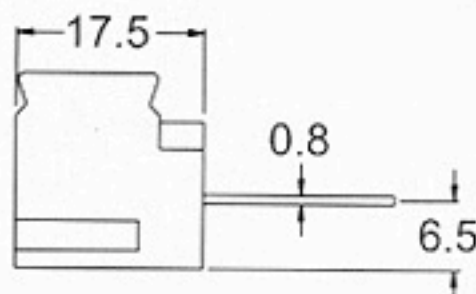
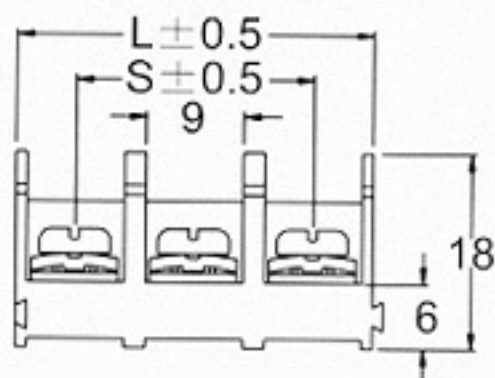
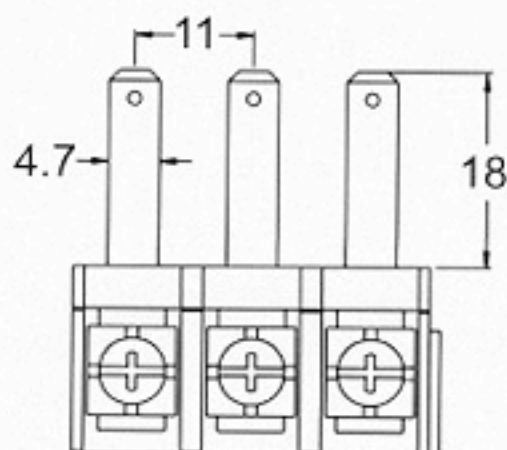


● **Specification**

- .433" PCB Barrier Terminal Blocks
- Terminal style : B52
- Pitch : 11.00 mm



Poles	2	3	4	5	6	7	8	9	10	11	12	13	14	15	16
L(mm)	22.0	33.0	44.0	55.0	66.0	77.0	88.0	99.0	110	121	132	143	154	165	176
S(mm)	11.0	22.0	33.0	44.0	55.0	66.0	77.0	88.0	99.0	110	121	132	143	154	165
Poles	17	18	19	20	21	22	23	24	25	26	27	28	29	30	
L(mm)	187	198	209	220	231	242	253	264	275	286	297	308	319	330	
S(mm)	176	187	198	209	220	231	242	253	264	275	286	297	308	319	