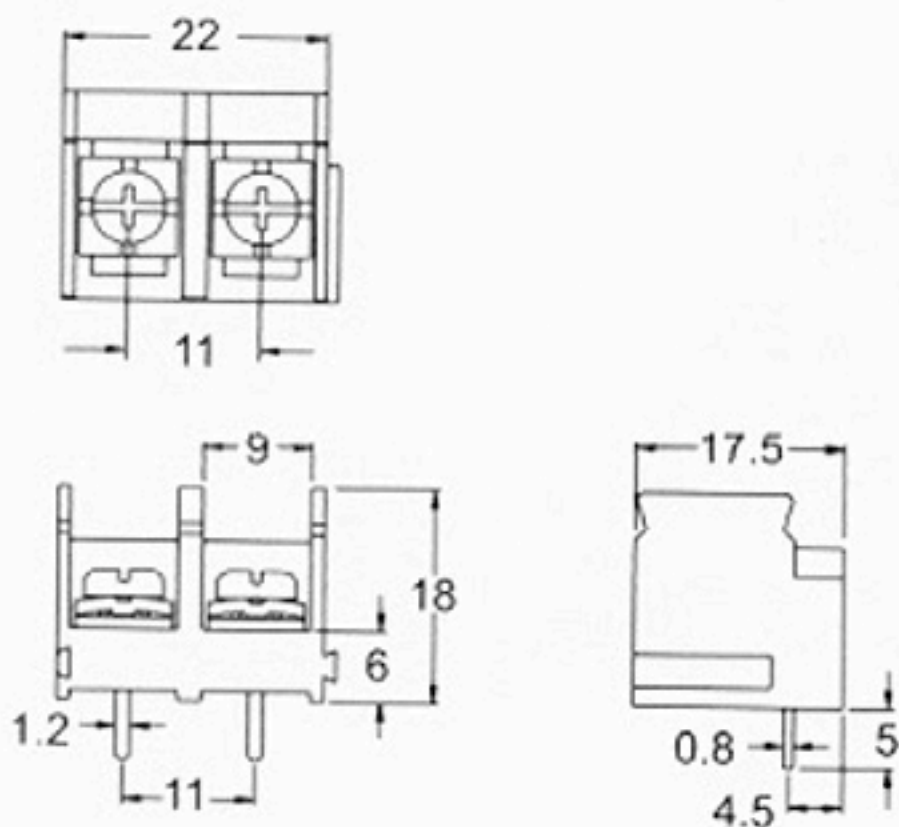
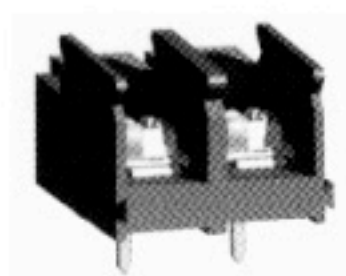


- **Specification**

- .433" PCB Barrier Terminal Blocks
- Pitch : 11.00 mm



T46MBM11-02		2 pole modular
T46MBM11-03		3 pole modular
T46M-L01		mounting hole (left)
T46M-R01		mounting hole (right)
BC46M-□□		clear cover