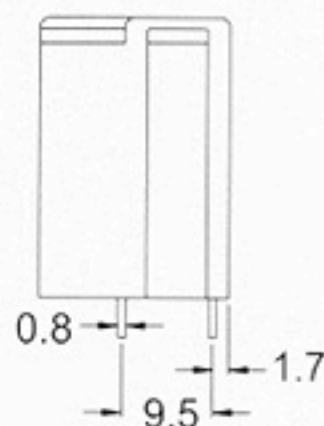
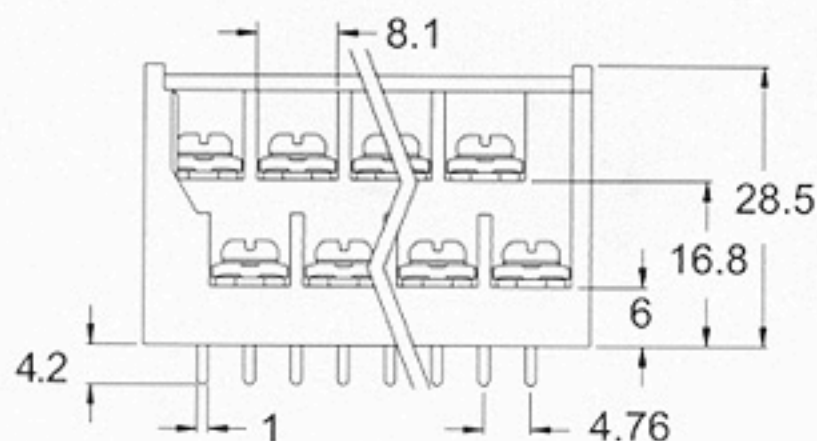
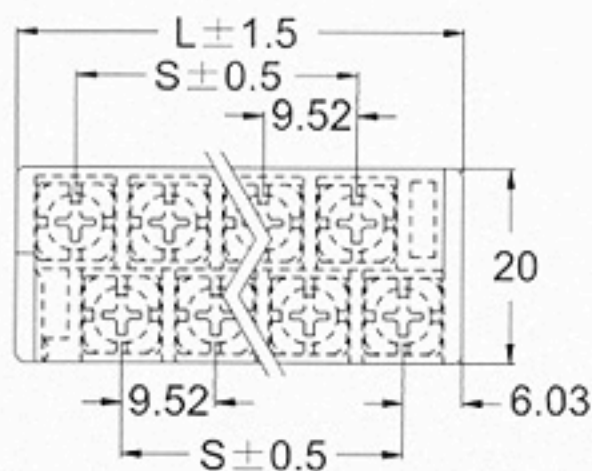
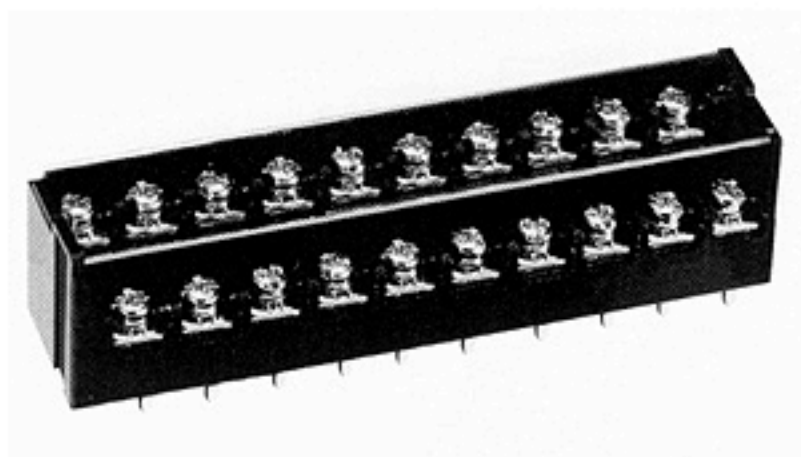


● **Specification**

- .375" PCB Barrier Terminal Blocks
- Terminal style : 41
- Pitch : 9.52 mm



Poles	2	3	4	5	6	7	8	9	10	11	12	13	14	15	16
L(mm)	26.3	35.8	45.4	54.9	64.4	73.9	83.5	93.0	103	112	122	131	141	150	160
S(mm)	9.52	19.1	28.6	38.1	47.6	57.2	66.7	76.2	85.7	95.3	105	114	124	133	143
Poles	17	18	19	20	21	22	23	24	25						
L(mm)	169	179	188	198	207	217	226	236	245						
S(mm)	152	162	172	181	191	200	210	219	229						